

HUMIDITY

3% WALL MOUNT PROPORTIONAL HUMIDISTAT

TCI-W13-U-H

DESCRIPTION

The model **TCI-W13-U-H** is a wall mount stand-alone electronic humidistat designed for proportional control of humidification and dehumidification equipment in HVAC and energy management systems. It features internal humidity and temperature sensors, one universal input (analog, binary, or temperature), two analog outputs and one binary output. For control based on duct humidity input use **TCI-W13-U** (without an internal humidity sensor) and **SDC-H1** duct humidity sensor. Humidity reset is possible using the **SOD-Tn10-1** outdoor air sensor for cold weather applications to prevent condensation in humidifying applications. The model **TCI-W23-U (-H)** also features a clock with 7-day programmable time schedules and 48-hour backup.

(Same product image as previous 2013 page)

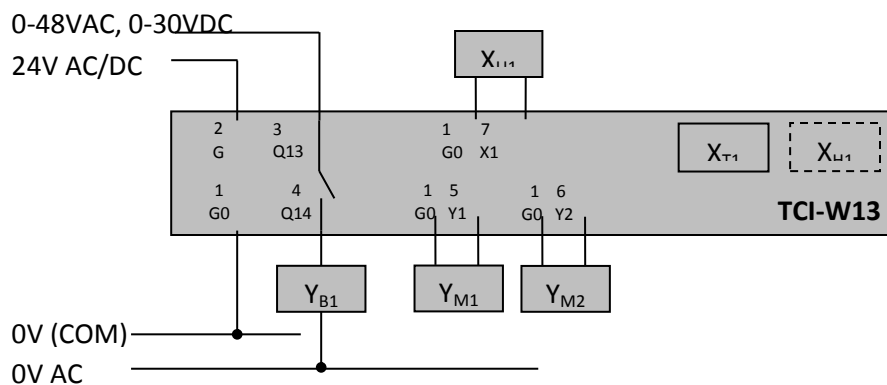
FEATURES

- Humidification and dehumidification control
- Remote temperature input for humidify set point setback
- Programmable user interface
- Optional clock and 7-day programmable time schedules
- 2 analog outputs, 1 binary output
- Easy-to-read display

SPECIFICATIONS

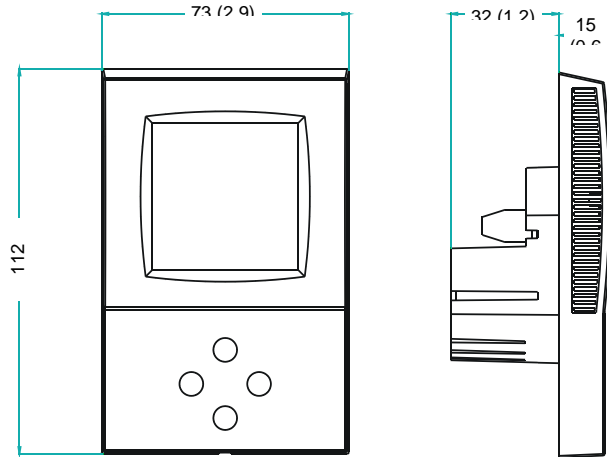
Accuracy	±3% RH (20-80%), 2% (10-90%) option with SDC-H1 duct RH transmitter
Supply Voltage	24 VAC ±10%, 50-60 Hz
RH Output	2 analog outputs (0-10v, 4-20mA or custom range)
Operating Humidity	0 to 95% non-condensing
Operating Temperature	32° to 122°F (0° to 50°C)
Electrical Connections	Terminal block (12 to 24 AWG)
Enclosure material	ABS plastic (UL94 class V-0)
Approvals	CE
Weight	0.58 lb (0.26kg)
Warranty	2 years

WIRING



G0	Power supply: 0V, -24VDC; common for power supply, analog in- and outputs
G	Power supply: 24VAC, +24VDC
X_{U1}	Universal input: NTC 10kΩ @ 25°C (77°F) or open contact, 0...10VDC or 0...20 mA (selectable by jumper)
X_{T2}	Passive input: NTC 10kΩ @ 25°C (77°F) or open contact
Y_{B1}	Binary output: Potential free relays contacts (see technical specification)
Y_{M1}, X_{M2}	Analog outputs: 0 to 10 V or 0 to 20 mA
X_{T1}	Internal temperature input
X_{H1}	Internal humidity input (-H model)

DIMENSIONS mm (inch)



ORDERING INFORMATION

Proportional Wall Mount Humidistat with Internal RH Input

Model	Function	RH Accuracy	Display	7-day Programmable
TCI-W13-U-H-W24	Humidify	±3% RH (20-80%)	Yes	No
TCI-W13-U-H-W25	Dehumidify		Yes	No
TCI-W23-U-H-W24	Humidify		Yes	Yes
TCI-W23-U-H-W25	Dehumidify		Yes	Yes

**Proportional Wall Mount Humidistat with Duct RH Input
Select Humidistat and Duct Sensor**

Model	Function	RH Accuracy	Display	7-day Programmable
Select humidistat:				
TCI-W13-U-W26	Humidify	See duct RH sensor	Yes	No
TCI-W13-U-W27	Dehumidify		Yes	No
TCI-W23-U-W26	Humidify		Yes	Yes
TCI-W23-U-W27	Dehumidify		Yes	Yes
Select duct RH sensor:				
SDC-H1-A3-1	6 in probe, cable gland	±3% RH (20-80%)	na	na
SDC-H1-A2-1		±2% RH (10-90%)	na	na

Related Products

Model	Function
SOD-Tn10-1	Outdoor temperature sensor
AMC-2	1/2 inch NPT conduit fitting for SDC RH sensor